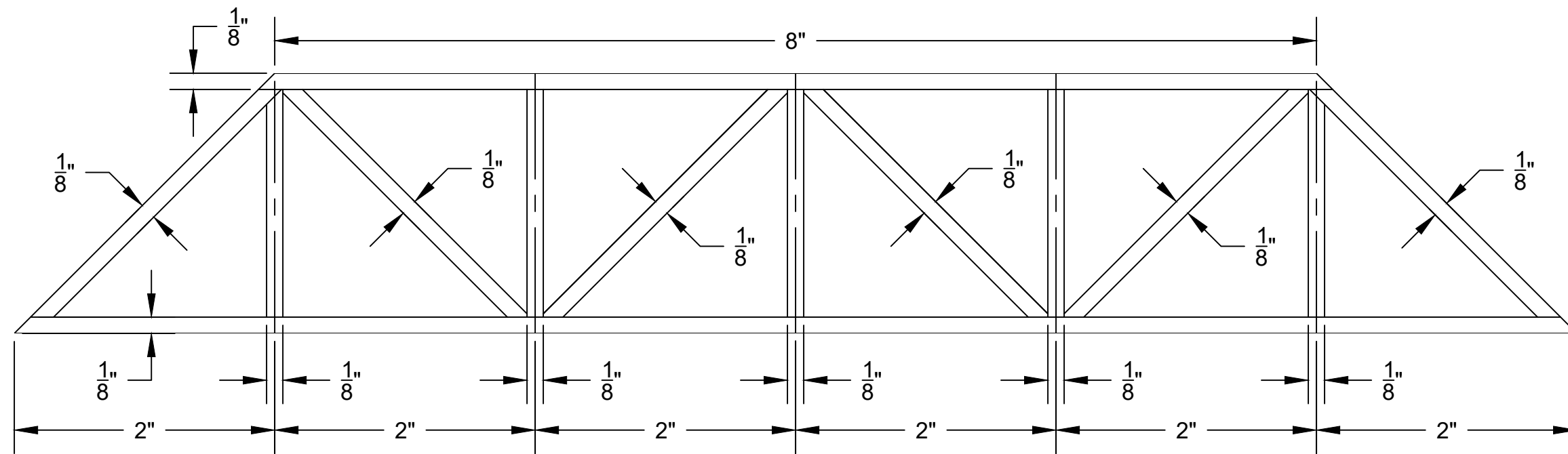
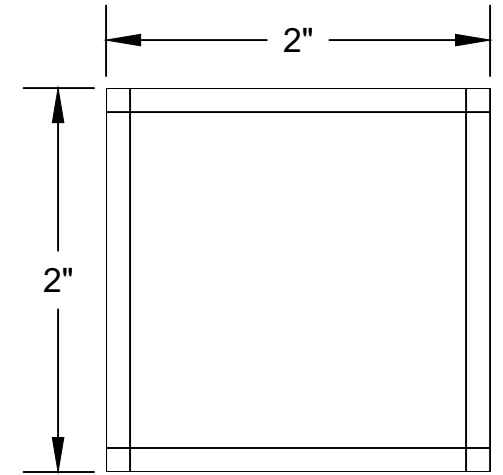


PLAN VIEW



ELEVATION VIEW



SECTION VIEW

			PROJECT			
			BRIDGE DESIGN COMPETITION			
			TITLE			
			EXAMPLE TRUSS BRIDGE			
APPROVED		SIZE	CODE	DWG NO	REV	
CHECKED		B				
DRAWN	TEAM NAME	DATE	SCALE	1:1	WEIGHT	
					SHEET 1/1	